

### Construction and working characteristics

- 3 way valve with double poppet.
- Possibility to adjust the down stream circuit filling time by the enclosed adjustable metering screw.
- Quick down stream circuit discharge.
- Possibility for a pneumatic or electric piloting control.
- Body made with anodized 2011 aluminum alloy.
- Wall mounting possibility with M6 screws.

**Important note:** the preventive or programmed maintenance of this product is not foreseen considering the elaborated assembling and the specific "PNEUMAX" testing; therefore, call the producer or its representative in case of necessity.

### Technical characteristics

Connections	G 1/2"
Max. inlet pressure	10 bar - 1 MPa
Max. ambient temperature	50°C
Weight	gr. 1010
Assembly position	Any
Wall mounting screws	M6
Nominal flow at 6 bar with $D_p=1$	2500 NI/min
Flow with adjustable metering screw fully open	340 NI/min

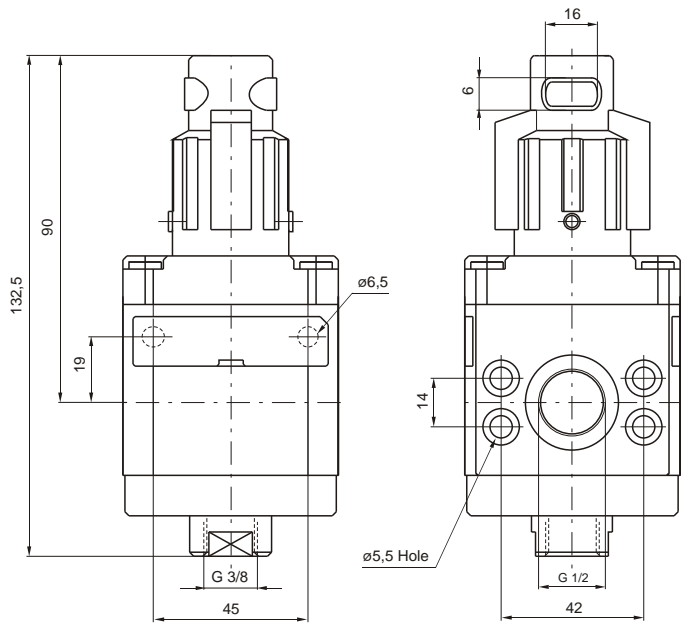
Ordering code

### 17310.M2

Electrically controlled progressive start-up valve size 3, complete with mechanic for M2 microsolenoid valve.

### 17320

Progressive start-up valve size 3 with pneumatic control.



### Construction and working characteristics

- 3 ways poppet valve.
- Body made with light alloy.
- Wall mounting possibility with M6 screws protected by covers.
- Double action handle for valve opening: pushing and rotating (clockwise).
- Simple rotate the valve handle counter clockwise for valve closing and down stream circuit discharging.
- Possibility to lock the valve in the discharging position by fitting in a padlock in the proper seat.

### Technical characteristics

Connections	G 1/2"
Max. inlet pressure	13 bar - 1,3 MPa
Max. ambient temperature	50°C
Weight	gr. 550
Assembly position	Any
Nominal flow at 6 bar with $D_p=1$	2500 NI/min
Wall mounting screws	M6
Handle opening and closing angle	90°
Max. fitting torque	40 Nm

**Important note:** the preventive or programmed maintenance of this product is not foreseen considering the elaborated assembling and the specific "PNEUMAX" testing; therefore, call the producer or its representative in case of necessity.

Ordering code

17330 .

A = Not lockable handle  
B = Lockable handle

Example: **17330.B**  
Shut-off valve size 3 complete with lockable handle.