

DESCRIPTION

Solenoid valve 3 way normally open direct acting suitable
For food application and all compatible fluids

CONSTRUCTION

Body	Thermoplastic polymer: FDA certified
Armature tube	Brass
Armature & core	Stainless steel
Springs	Stainless steel
Seal material	NBR FPM EPDM

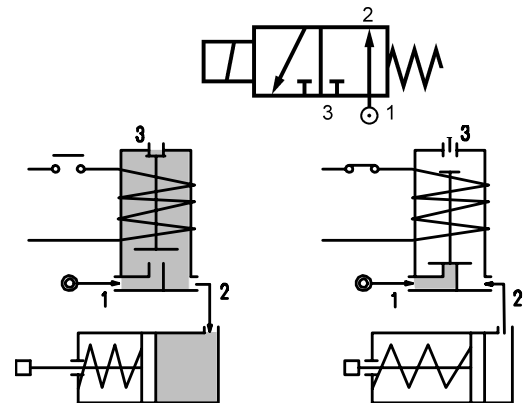


3

FEATURES

Maximum allowable pressure 10 bar
Maximum fluid viscosity 25cSt (mm²/s)
Ambient temperature : with class F coil -10° +55°C
with class H coil -10° +80°C
Universal mounting position.

OPTIONS : Stainless steel armature tube
Type **N** connection without nut
Armature tube chemically nickel-plated
Seal material suitable for food applications
Hosetail exhaust



CONNECTIONS

K	N	P	W	Y	Z
SPIGGOT	G1/8" male thread with NUT for flexible and semiflexible pipes	HOSETAIL For flexible pipes	COMPRESSION for flexible and semiflexible pipes	PUSH IN for semiflexible pipes Ø ext.6	PUSH IN for semiflexible pipes Ø ext.4

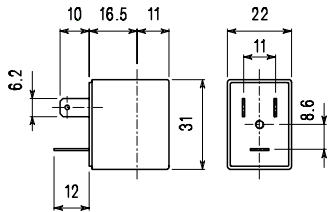
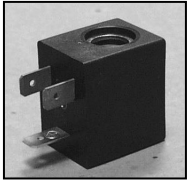
CODE ① ②	Connection *	Orifice mm	KV m ³ /h	Working Pressure bar			Nominal power			Coil		Seal ①	Temp. Range °C
				Min	Max		AC Inrush	VA Holding	DC Watt	Type	Width		
					AC	DC							
E337*.....15///.....	K-N-P-W-Y-Z	1.5	0.06	0	9	6	12	8	6.5	3	22	NBR=B EPDM=E FPM=V	-10 +90 <+140 -10 +130

① Seal Example E337KB15///30B NBR seal
② Coil Coil V24 50/60Hz Spigot connection

COIL	Alternating Current ~50 /60Hz Volt							Direct Current Volt			Electrical Connection	Connector
	12	24	48	110	220 230	240	380	12	24	48		
Type 3 Width 22 Code ②	30A	30B	30C	30D	30E	30F	30G	300	301	302	DIN 46244	PG9 code 10348000

DESCRIPTION
 Class F insulation
 Voltage tolerance
 AC+15% -10%
 DC ± 10%
 Protection to IP65
 with connector fitted
 IP00 without connector
 Continuous service
 ED100%

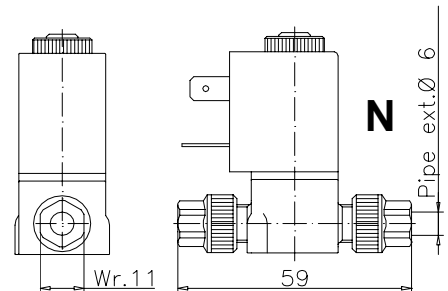
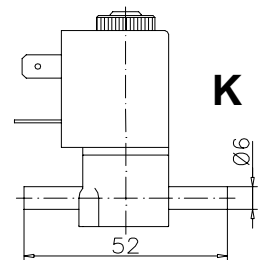
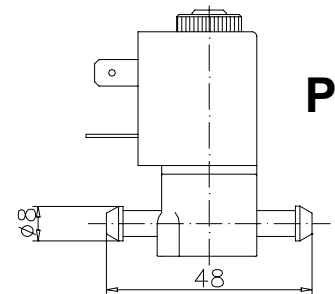
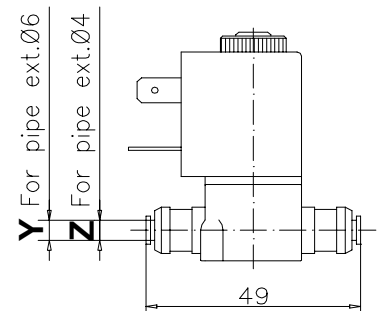
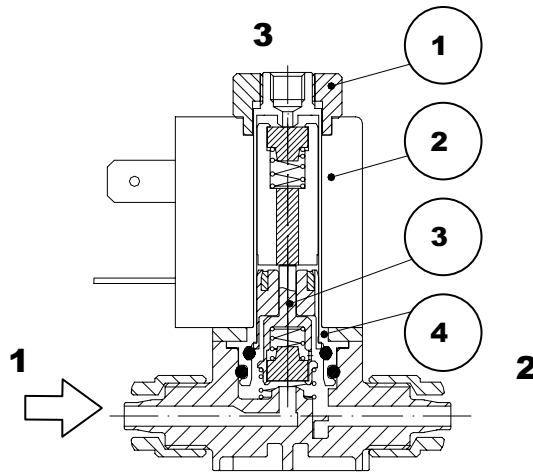
OPTIONS
 Class H insulation
 Cable attached
 Special coil voltages
 Special coil powers



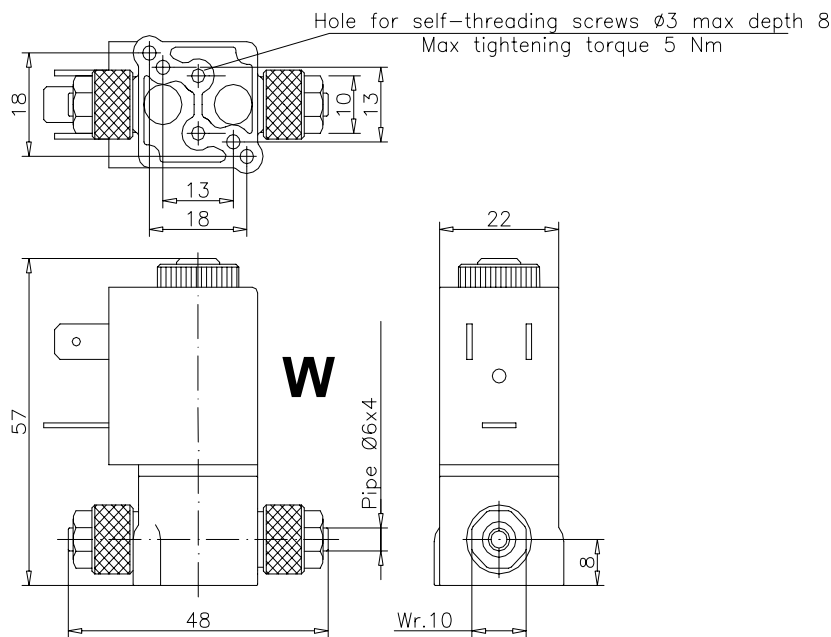
Type 3 weight 0.05 Kg

SPARE PARTS LIST

- 1.Coil fixing nut
- 2.Coil
- 3.Armature assembly
- 4.armature tube with core



OVERALL DIMENSIONS



Screw the nut with wrench 11 up to the sliding on the hexagon (TORQUE LIMITING DEVICE)