

## DESCRIPTION

Solenoid valve 2 way normally closed direct acting poppet type  
 With explosion proof coil certified:  
 LCIE 03 ATEX 6055X ExII2G/D EEx "d" IIC T6



2

## VALVE CONSTRUCTION

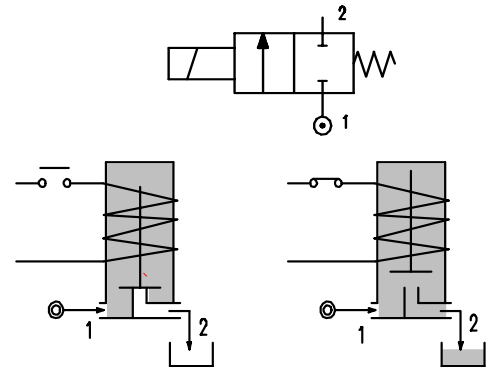
Body                                      Stainless steel  
 Seal material                            NBR  
   FPM

## EXPLOSION PROOF CONSTRUCTION

Housing                                  Alloy in black colour  
 Electrical connection                1/2" NPT

## FEATURES

Maximum allowable pressure 100 bar  
 Maximum fluid viscosity 25cSt (mm<sup>2</sup>/s)  
 Ambient temperature :   -10° +40°C  
 Mounting position with vertical coil above



**OPTIONS :** Silver shading ring

N.B. The solenoid valve is suitable for contact with **NOT** potential explosive medias only.

| CODE<br>①      ②     | Connection<br>G | Orifice<br>mm | KV<br>m <sup>3</sup> /h | Differential pressure bar |     |     | Nominal Power |     | Coil<br>Type | Seal<br>① | Temp. Range<br>°C |
|----------------------|-----------------|---------------|-------------------------|---------------------------|-----|-----|---------------|-----|--------------|-----------|-------------------|
|                      |                 |               |                         | Min                       | Max |     | AC<br>Holding | DC  |              |           |                   |
|                      |                 |               |                         |                           | AC  | DC  |               |     |              |           |                   |
| A110B.....20///..... | 1/4"            | 2             | 0.1                     | 0                         | 22  | 20  | 20VA          | 14W | 96           | NBR=B     | -10 +90           |
| A110B.....35///..... | 1/4"            | 3.5           | 0.32                    | 0                         | 10  | 8   |               |     |              |           |                   |
| A110B.....52///..... | 1/4"            | 5.2           | 0.47                    | 0                         | 4   | 1.8 |               |     |              |           |                   |
| A110B.....64///..... | 1/4"            | 6.4           | 0.64                    | 0                         | 3.5 | 1   |               |     |              |           |                   |
| A110C.....20///..... | 3/8"            | 2             | 0.1                     | 0                         | 22  | 20  |               |     |              |           |                   |
| A110C.....35///..... | 3/8"            | 3.5           | 0.32                    | 0                         | 10  | 8   |               |     |              |           |                   |
| A110C.....52///..... | 3/8"            | 5.2           | 0.47                    | 0                         | 4   | 1.8 |               |     |              |           |                   |
| A110C.....64///..... | 3/8"            | 6.4           | 0.64                    | 0                         | 3.5 | 1   |               |     |              |           |                   |
| A110D.....20///..... | 1/2"            | 2             | 0.1                     | 0                         | 22  | 20  |               |     |              | FPM=V     | -10 +120          |
| A110D.....35///..... | 1/2"            | 3.5           | 0.32                    | 0                         | 10  | 8   |               |     |              |           |                   |
| A110D.....52///..... | 1/2"            | 5.2           | 0.47                    | 0                         | 4   | 1.8 |               |     |              |           |                   |
| A110D.....64///..... | 1/2"            | 6.4           | 0.64                    | 0                         | 3.5 | 1   |               |     |              |           |                   |

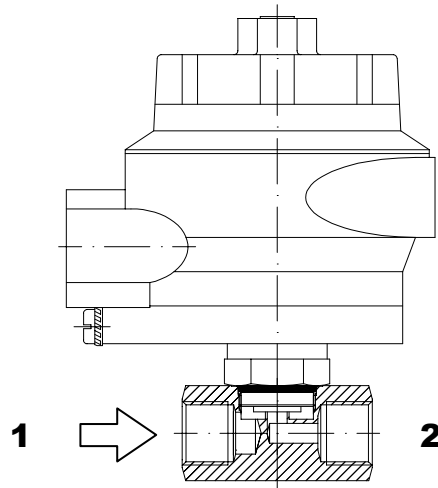
- ① Seal
- ② Coil

Example E110BB35///96E NBR seal  
 Coil V220 50/60Hz

| COIL                     | Alternating Current<br>~50 /60Hz Volt |     |     |            |               | Direct<br>Current Volt |     |     | Electrical<br>connection |
|--------------------------|---------------------------------------|-----|-----|------------|---------------|------------------------|-----|-----|--------------------------|
|                          | 24                                    | 48  | 110 | 220<br>230 | 420           | 12                     | 24  | 48  |                          |
| Type <b>96</b><br>Code ② | 96B                                   | 96C | 96D | 96E        | on<br>request | 960                    | 961 | 962 | 1/2" NPT                 |

**DESCRIPTION**  
Voltage tolerance  
-10% +15%.

**OPTIONS**  
Electrical conn 3/4 NPT  
1/2" - 3/4" GAS Uni 6125



### OVERALL DIMENSIONS

